



HUBER+SUHNER® SENCITY® OPTIMA ANTENNA FOR WIRELESS COMMUNICATION

SWA 0764/360/6/30/V

Technical Data

Electrical Properties

Frequency range (MHz)	690 – 1100	1100 – 1710	1710 – 3300	3300 – 4500	4500 – 6000	6000 – 6400
Impedance	50 Ω					
VSWR	2.0	1.7	1.5	1.7	1.5	1.5
Polarization	linear, vertical					
Gain ¹	5.0 dBi	6.5 dBi	7.5 dBi	7.5 dBi	8.5 dBi	8.5 dBi
3 dB beamwidth horizontal	360°					
PIM:	145 dBc at 2 x +30 dBm					
GSM 900, DAMPS, GSM 1800, PCS, GSM 1900, UMTS, CDMA 2000, 2.3 - 2.7 GHz, 3.4 - 3.8 GHz						
Grounding	radiator grounded for remote connectivity surveillance					
Max. power	10 W (CW) at 25°C					

¹ When mounted on a 0.25 m² ground plane

Mechanical & Environmental Properties

Dimensions	Ø 321 x 69.1 mm (Ø 12.64" x 2.72") excl. connector
Weight	1.0 kg (2.21 lbs.)
Radome material	ABS UL94V-0
Radome colour	RAL 9010 (white)
Back/base plane material	aluminium
2002/95/EC (RoHS)	compliant
Operating temperature range	0°C to + 55°C
Storage temperature range	- 40°C to + 80°C
Environmental Classification	This antenna is designed for indoor use

Available Types

Article no.	
1399.17.0085	84019316 N female
1399.26.0043	84024374 TNC female

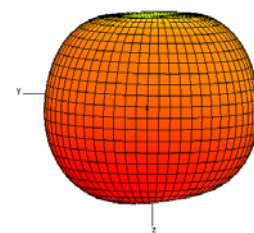
Mounting Hardware

Article no.	
9091.99.0096	84024380 downtilt bracket

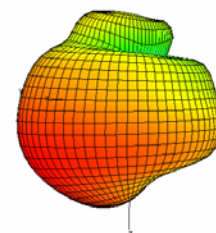
3 plastic screws for false ceiling mounting included in the antenna shipment.
Thickness of false ceiling to be ≤ 30 mm.

Documents

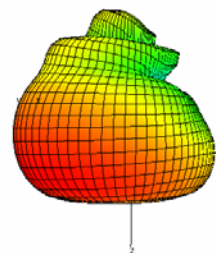
01.02.0777	security instruction
DOC-0000239894	mounting instruction



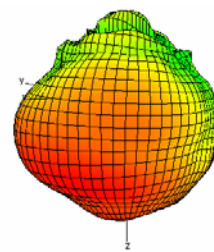
AMPS / GSM900 / CDMA



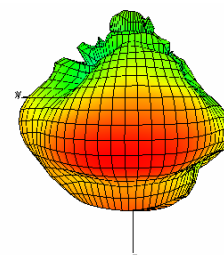
GSM 1800 / PCS / UMTS



WLAN & WiMAX 2.5 GHz



WiMAX 3.6 GHz



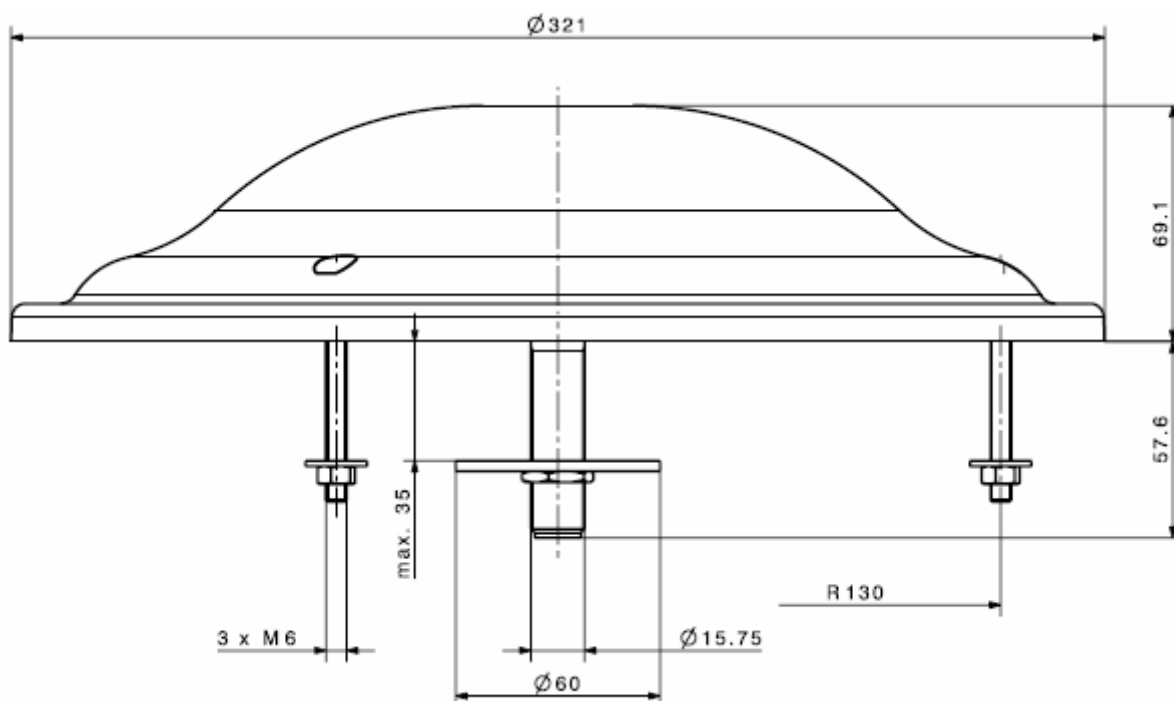
WLAN 5 GHz



HUBER+SUHNER® SENCITY® OPTIMA ANTENNA FOR WIRELESS COMMUNICATION

SWA 0764/360/6/30/V

Dimensions (mm)



HUBER+SUHNER is certified according to ISO 9001 and ISO 14001

WAIVER!

It is exclusively in written agreements that we provide our customers with warrants and representations as to the technical contained specifications and/or the fitness for any particular purpose. The facts and figures herein are carefully compiled to the best of our knowledge, but they are intended for general informational purposes only.

HUBER+SUHNER – Excellence in Connectivity Solutions

Document no.: 01.02.1315
Issue no.: 12
Supersedes: 10.2006

Uncontrolled Copy

Issued/Checked/Released: 4159/4656/01.2006
Last amended: 4417/01.2007



HUBER+SUHNER AG
RF Technology
9100 Herisau, Switzerland
Phone +41 (0)71 353 41 11
Fax +41 (0)71 353 47 51
www.hubersuhner.com