



HUBER+SUHNER® SENCITY® AVANT INDOOR ANTENNA FOR WIRELESS COMMUNICATION



SWA 0860/360/4/0/V_1

Multiband antenna: TDMA, D-AMPS, GSM 900, GSM 1800, GSM/PCS 1900, UMTS, 2.4, 3.5, 4.9 Public Safety, 5.3 and 5.8 GHz Bands

Technical Data

Electrical Properties						
Frequency range (MHz)	806 - 824	824 - 960	1710 - 2170	2400 - 2700	3400 - 3700	4900 - 5935
Impedance	50 Ω					
VSWR	< 1.9	< 1.6	< 1.8	< 1.5	< 1.5	< 1.6
Polarization	linear, vertical					
Gain (using a 1 m ² ground plane)	6 dBi	6 dBi	8.5 dBi	9.5 dBi	9.5 dBi	8.5 dBi
Max. power	400 W (CW) at 50°C					

Mechanical Properties	
Dimensions	255 x 78 x 90 mm (10.04" x 3.07" x 3.54")
Weight	0.6 kg (1.32 lbs.)
Back/base plane material	aluminium with polyurethane powder coating
Back/base plane colour	RAL 9010 (white)
Radome material	high impact acrylic styrene acrylonitrile (HRA150)
Radome colour	RAL 9010 (white)
Operating temperature range	- 40°C to + 80°C
Storage temperature range	- 55°C to + 85°C

Available Types	Article no.
1399.17.0086	84019732 N female

Documents	
01.02.0777	security instruction
01.02.1222	mounting instruction

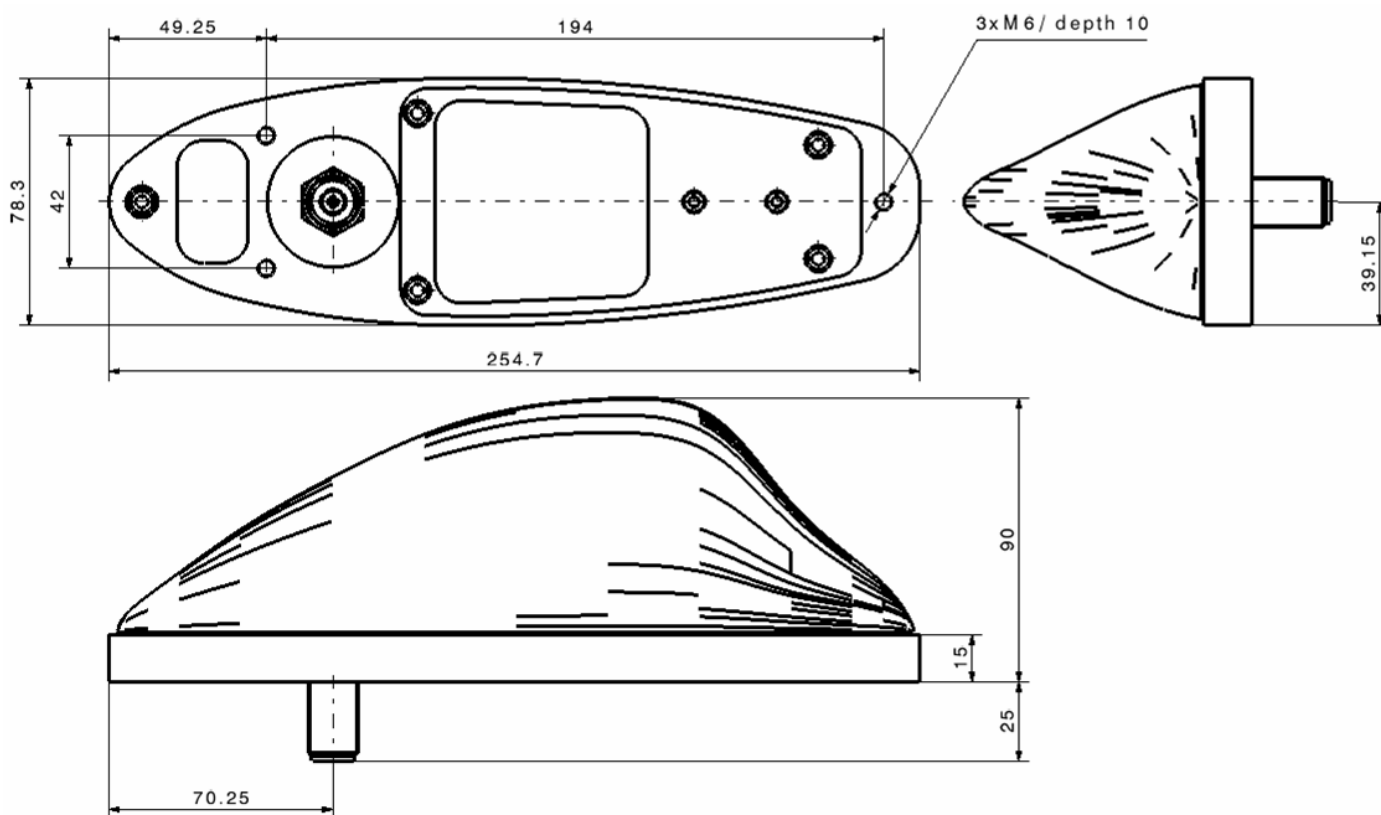
Note: Not applicable for trainborne applications.



HUBER+SUHNER[®] SENCITY[®] AVANT INDOOR ANTENNA FOR WIRELESS COMMUNICATION

SWA 0860/360/4/0/V_1

Dimensions (mm)



HUBER+SUHNER is certified according to ISO 9001 and ISO 14001

WAIVER!

It is exclusively in written agreements that we provide our customers with warrants and representations as to the technical contained specifications and/or the fitness for any particular purpose. The facts and figures herein are carefully compiled to the best of our knowledge, but they are intended for general informational purposes only.

HUBER+SUHNER – Excellence in Connectivity Solutions

Document no.: 01.02.1221
Issue no.: 6
Supersedes: 07.2006

Uncontrolled Copy

Issued/Checked/Released: 4417/4772/11.2005
Last amended: 4863/05.2007



HUBER+SUHNER AG
RF Technology
9100 Herisau, Switzerland
Phone +41 (0)71 353 41 11
Fax +41 (0)71 353 47 51
www.hubersuhner.com